

genie. II pan tilt

Setup Guide

Welcome to the Syrp family

Before you start filming, there are a few simple steps to follow to ensure your Genie II is assembled correct and you're shooting smoothly.

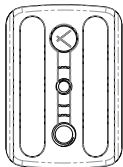
This guide will walk you through the correct Genie II set up, as well as some helpful tips.

Additional resources can be found at
support.syrp.co.nz

What's in the Box

Genie II Pan Tilt (Battery incl.)

QR Camera Plate 65mm



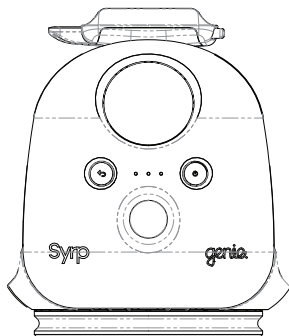
1/4" - 3/8" Adapter



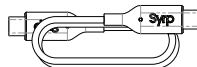
Charger



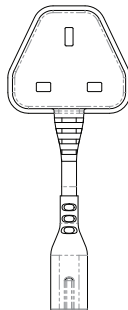
USB Adapter



USB-C Charge Cable



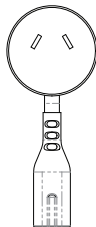
UK Plug



USB-C to Shutter Release Cable



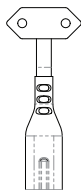
AU/NZ Plug



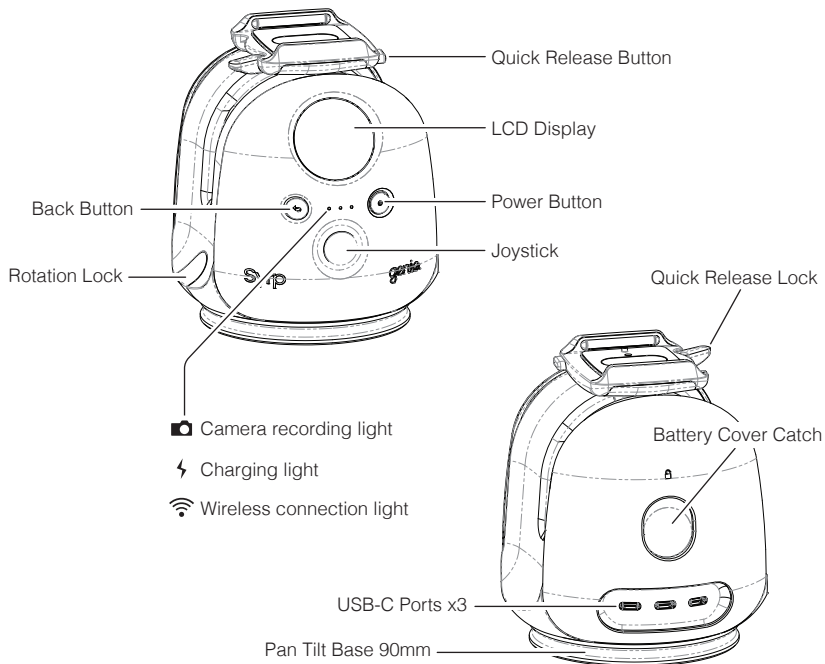
USA Plug



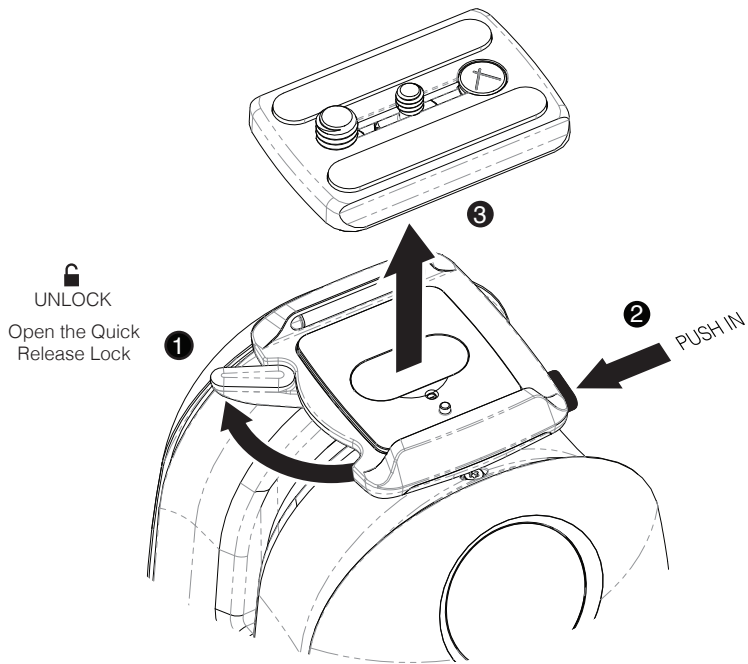
Euro Plug



Genie II Pan Tilt

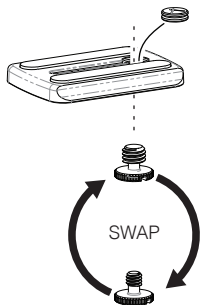


Quick Release Camera Plate

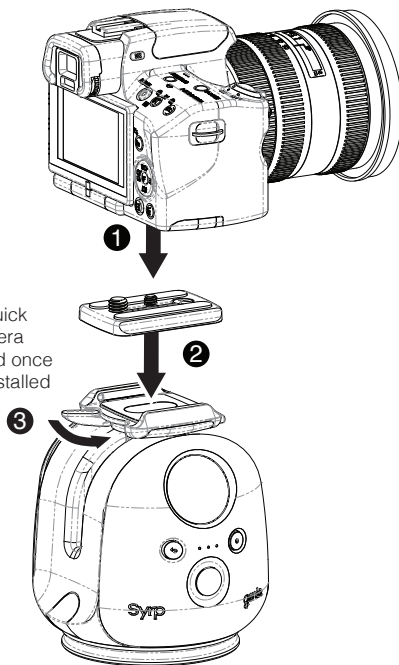


Mount Camera

- i** Remove the rubber stopper to swap between 1/4" & 3/8" Camera Screws.



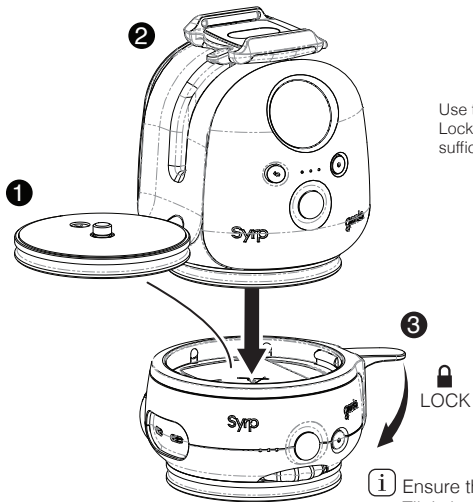
- !** IMPORTANT
Ensure the Quick Release Camera Plate is locked once the plate is installed



Mount the Genie

Genie II Linear

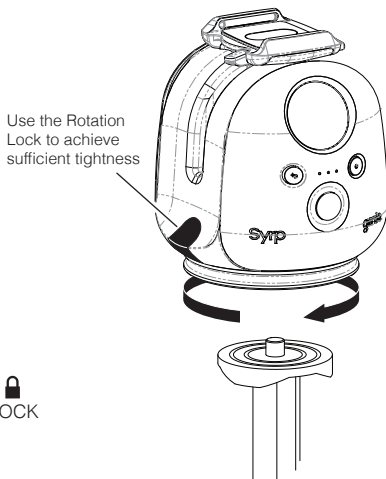
Remove the Quick Release Plate from Linear. Push the Pan Tilt down into the Linear and lock the Quick Release.



i Ensure the Genie Pan Tilt is locked in place once installed.

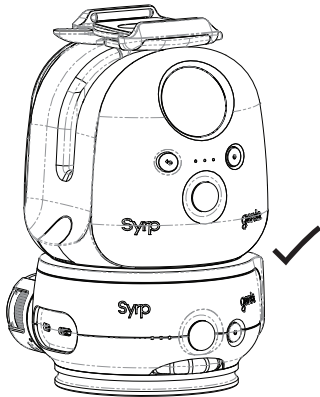
Standard Tripod

Screw the Pan Tilt clock wise onto a 3/8 thread and fully tighten.

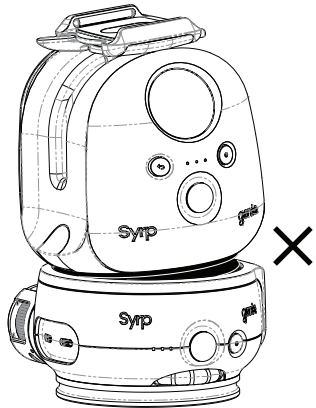


Mounting Warning

You must ensure the Quick Releases are installed correctly. Incorrect installation could result in your equipment detaching and cause harm to your equipment or others.

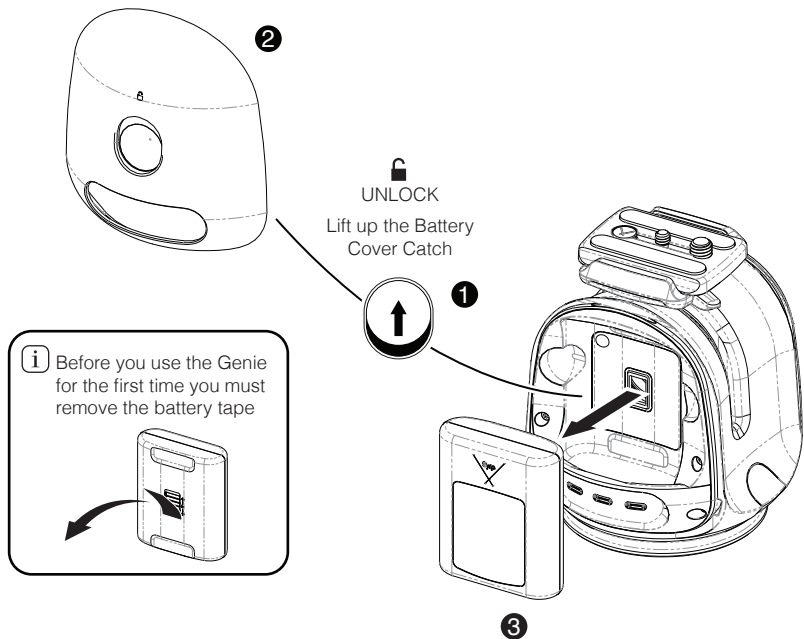


! **IMPORTANT**
Ensure the Genie Quick Release base is fully inserted. It should be flush.



! **WARNING**
Always ensure the Quick Release base is not partially inserted.

Remove / Install Battery



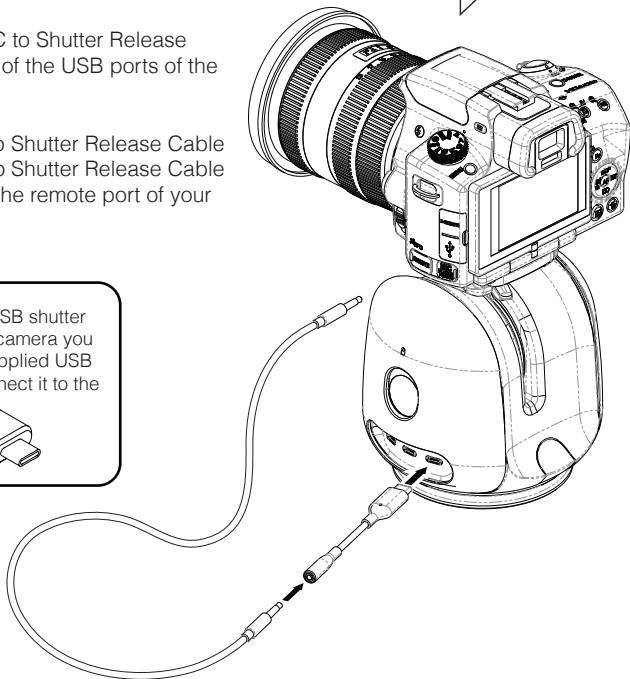
Camera Control

- 1 Plug the USB-C to Shutter Release Cable into one of the USB ports of the Genie.
- 2 Connect a Syrp Shutter Release Cable to the USB-C to Shutter Release Cable and plug in to the remote port of your camera.

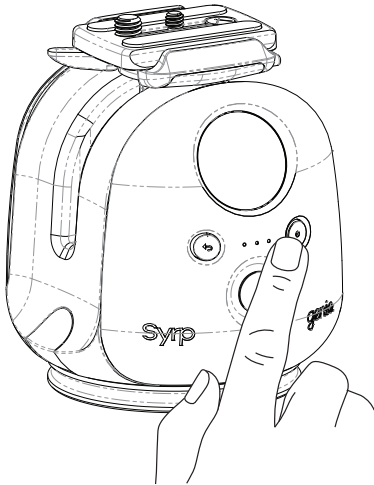
i If you have a USB shutter cable for your camera you can use the supplied USB adaptor to connect it to the Genie.



The shutter cable is not required for video recording



Connect to Genie



- 1 Turn on the Genie, press the on button once.
- 2 Turn Bluetooth on in your mobile device settings.

- 3 Download the Syrp Genie App



- 4 Open the Syrp Genie App.

Continued overleaf.

App Connect



- 1** Tap the CONNECT icon.



- 2** Select your Genie or multiple Genies to link to more than one Genie.



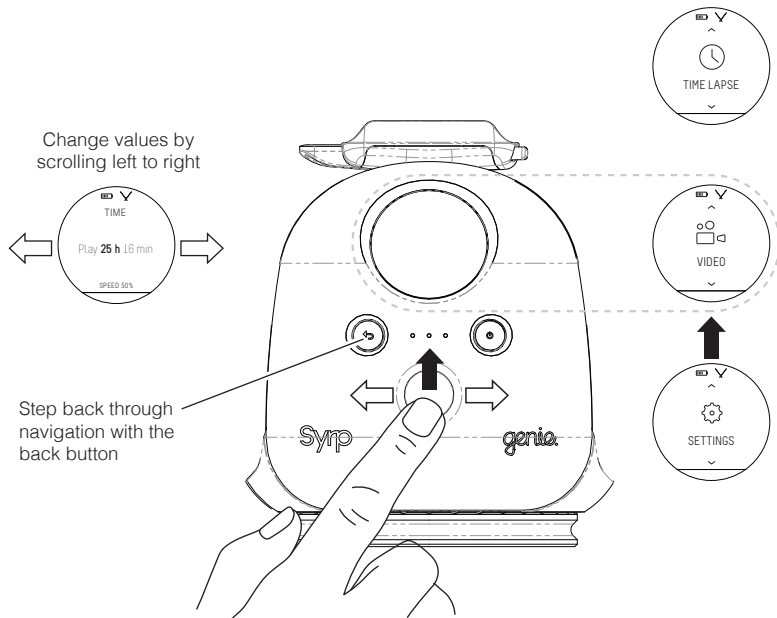
- 3** Tick confirms connection.



- 4** Press "OK".

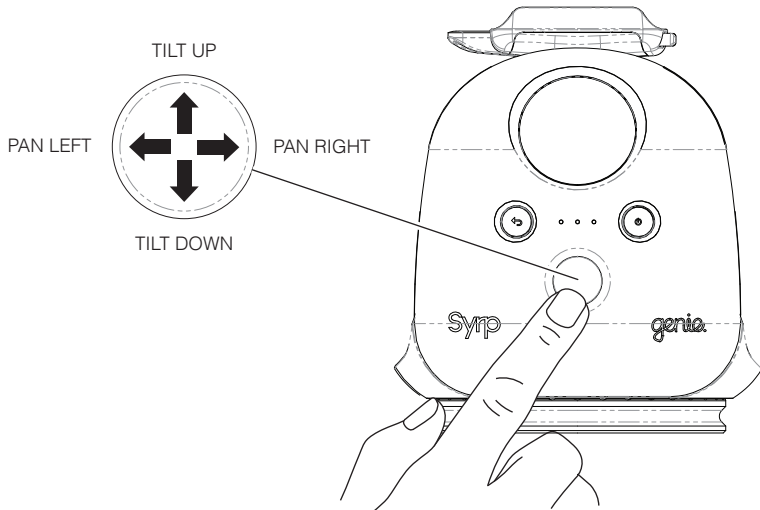
Joystick Navigation

Use the Joystick to scroll through the LCD menu screens and change the settings. Pressing the Joystick button in confirms your selection.



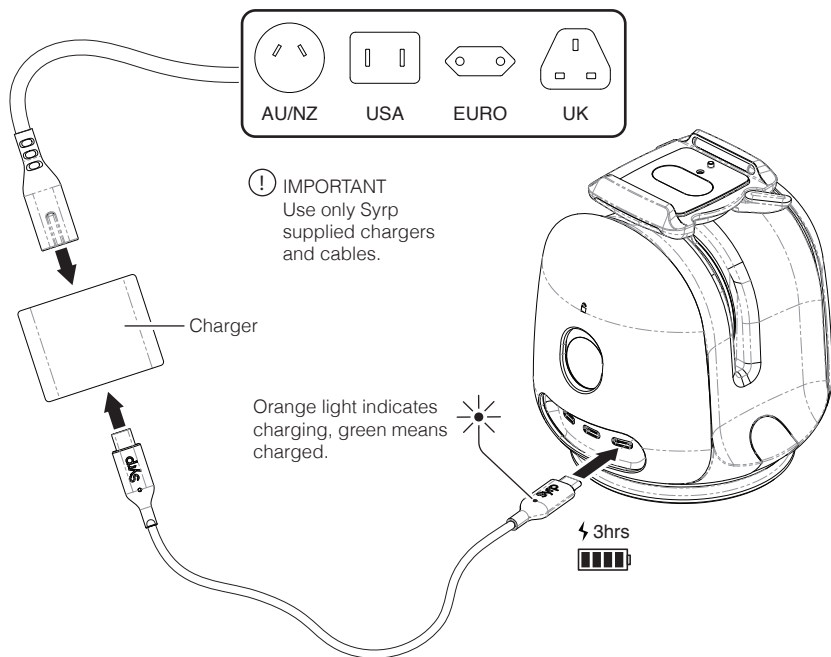
Joystick Drive

The Genie II can be driven manually with the Joystick by moving left to right for panning and up and down for tilting movement.



Charging

Select your country's plug and connect to the Charger.
Connect the USB-C charging cable to the Charger and to
one of the Genie's USB ports.



Genie Quick Tips

When recording photographs always set your camera and lens to manual focus (MF), if set to Auto Focus (AF) the camera can misfire leading to missed frames.

Turn image review OFF on your camera. On some cameras image review can cause missed frames in your time-lapse.

Firmware Tips

If you're having difficulty updating the Firmware try these tips.

- Try to update on a different device, if it works you can go back to using your original device.
- Do not connect to other Bluetooth devices while updating, it's best to turn off other nearby Bluetooth devices completely, or the update may fail.
- Try the update from a different location, in some situations unknown interference can cause a failed update.

For more information visit support.syrp.co.nz

Stay in Touch

We hope that the Genie II helps to expand your creativity and assists in making better films. Please stay in touch with us, join our community and show us your work.

www.syrp.co.nz



youtube.com/syrptube



vimeo.com/syrp



instagram.com/syrp_



facebook.com/syrp.co.nz



twitter.com/syrp_



syrp@syrp.co.nz



32 Crummer Rd
Auckland 1021
New Zealand
Ph.+64 9 360 9570

User Warnings

In this guide you'll learn how to operate the Genie II Pan Tilt correctly. Your safety is our top priority so please ensure you read this entire guide fully and understand it before you go filming.

We also suggest that you keep this guide for future reference.

DISCLAIMER

Syrp has made every effort to provide clear and accurate information in this guide, which is provided solely for your, information. However to the maximum extent permitted by law Syrp shall not be liable for any errors or discrepancies in this guide.

Syrp reserves the right to revise the design and specifications of the Genie II Pan Tilt and this guide and make changes from time to time including, without limitation, as a result of changes in any applicable laws or regulations. Syrp will upload any changes to this guide on its website (<https://syrp.co.nz>).

By using the Genie II Pan Tilt, you agree that:

- You have read this Disclaimer, Product Warnings, Product Safety Instructions, Battery Warnings, Battery Safety Instructions and full guide carefully.
 - You understand and agree to abide by all the terms and conditions in this guide;
- You are solely responsible for your own conduct and safety while using the Genie II Pan Tilt;
- You will only use the Genie II Pan Tilt for the purpose that it was designed and safely and in accordance with all applicable laws, rules and regulations, and all instructions, warnings, practices, policies and guidelines that Syrp has or may make available from time to time including, without limitation, by way of video tutorials and guides on Syrp's website (<https://syrp.co.nz/>) and Youtube / Vimeo channels.

Subject to any express warranty listed on the support page at www.syrp.co.nz, to the maximum extent permitted by law, in no event shall Syrp, its directors, employees, contractors or authorised agents be liable to you or anyone else for any loss, damage, fines, penalties, injury, solicitor-client costs, loss of profits, loss of business or damage to goodwill, or any indirect or consequential or special loss or damage arising under or in connection with:

- Your use of the Genie II Pan Tilt; and

- The use of any technical or operational information contained in this guide.

Syrp makes no guarantees for your recordings / images. In the event that content was not recorded or images taken, due to a fault related to the Genie II Pan Tilt during use, please understand that no compensation can be provided and Syrp will not be held responsible in any way.

Subject to any express warranty given by Syrp at www.syrp.co.nz/support, to the fullest extent possible at law, Syrp does not make any representations or give any express or implied warranties of any kind in relation to the Genie II Pan Tilt.

If the Genie II Pan Tilt is being used by you for business purposes as that term is defined in the New Zealand Consumer Guarantees Act 1993 then pursuant to the provisions of that Act the terms and guarantees of that Act do not apply to your purchase of the Genie II Pan Tilt.

For the full User Manual and Operating Instructions, head to support.syrp.co.nz

PRODUCT WARNINGS

The Genie II Pan Tilt was manufactured and designed to be used for motion control time-lapse photography and video. Never use the Genie II Pan Tilt without fully understanding the functions and safety precautions.

You must ensure that the Genie II Pan Tilt is only used for its purpose and in accordance with this guide. Please read the Product Warnings and Safety Instructions carefully before using.

WARNING: To reduce the risk of fire or electric shock, do not expose this equipment to rain or moisture. To reduce the risk of fire or electric shock hazard, keep this equipment away from all liquids. Use and store only in locations which are not exposed to the risk of dripping or splashing liquids, and do not place any liquid containers on top of the equipment.

WARNING: Always keep the product and all accessories including, connection cable and all packaging out of reach of babies and small children.

WARNING: Do not use this product near water. The unit is not waterproof and cannot be used under water. If you accidentally drop the device into water, promptly contact Syrp.

WARNING: Never use any 3rd party rope as a replacement for the Genie Rope.

WARNING: Never attempt to disassemble the Genie II Pan Tilt Components to repair, fix or replace parts.

CAUTION: Do not carry, jar, swing, or shake the unit by any attached accessories including the Genie II Pan Tilt, Ballhead, Slider or Camera. Any strong jolt may damage the unit, attached equipment's or result in personal injury.

CAUTION: Do not lift the Genie II Pan Tilt by its body when a tripod or other equipment is attached. When a tripod or other equipment accessory is attached, its weight will also affect the Genie II Pan Tilt's handling, possibly causing it to break, as well as possibly hurting the user. Instead always detach the Genie II Pan Tilt from the accessory and transport separately.

CAUTION: To reduce the risk of fire or electric shock and annoying interference, use the recommended accessories only.

CAUTION: Danger of explosion or fire if battery is tampered with or mistreated. Do not dispose of the Genie II Pan Tilt and/or the battery in fire. Do not store the Genie II Pan Tilt and/or the battery in temperatures over 50°C (104°F) or below -20°C (-4°F). Do not expose the Genie II Pan Tilt and/or battery to excessive heat such as sunshine, fire or the like. Always use the specified charger to recharge the battery.

CAUTION: Do not use or charge the device in temperatures below 2°C (35°F), or above 30°C (86°F).

CAUTION: To maintain adequate ventilation, do not install or place this Genie II Pan Tilt in a bookcase, built-in cabinet or any other confined space. To prevent risk of electric shock or fire hazard due to overheating, ensure that is not covered by anything that may obstruct the ventilation.

CAUTION: Do not cover or wrap the Genie II Pan Tilt or AC adapter with a cloth or any other material. Doing so may trap heat within and cause the casing to deform or catch fire.

CAUTION: Do not leave the Genie II Pan Tilt in direct contact with the skin for long periods of time when in use. Low temperature burn injuries may be suffered if the high temperature parts of this Genie II Pan Tilt are in direct contact with the skin for long periods of time. When using the equipment for long periods of time, make use of tripods or other equipment accessories.

CAUTION: Do not exceed the weight limitations stated below for the Genie II Pan Tilt and QR plate:

Horizontal Operation Panning Only 6kg(13.2lbs)
Horizontal Operation Tilting Only: 0-60° 6kg(13.2lbs) 60-180° 3.6kg(7.9lbs)

IMPORTANT PRODUCT SAFETY INSTRUCTION

READ THESE INSTRUCTIONS. KEEP THESE INSTRUCTIONS.
FOLLOW THEM CAREFULLY.

- Do not use the Genie II Pan Tilt for anything other than creating motion control time-lapse photography and video.
- Never use the Genie II Pan Tilt above people or animals or close to motor vehicles, railway stations, highways, railway lines, schools, city centres or other public or sensitive areas. The Genie II Pan Tilt could fall and cause personal injury or damage.
- Always ensure the Genie II Pan Tilt is securely attached to support accessories.
- Never operate when Genie II Pan Tilt's Quick Release is not fully locked. The plate should be fully submerged into the Genie II Pan Tilt.
- Always ensure the Quick Release plate is level and fully inserted in the Quick Release Base.
 - Never use the Genie II Pan Tilt hanging upside down.
- Always ensure when attaching the Genie II Pan Tilt to a tripod, slider or other accessory that it is fully secured.
 - Never put any object or body part in the path of the Genie II Pan Tilt movement.
 - Avoid storing the Genie II Pan Tilt where there are corrosive chemicals such as a darkroom or chemical lab.
 - Clean only with a dry cloth.
 - Never leave the Genie II Pan Tilt near anything having a strong magnetic field such as a magnet or electric motor. Also avoid using or leaving the Genie II Pan Tilt near anything emitting strong radio waves such as a large antenna.

- If the Genie II Pan Tilt is suddenly brought in from the cold into a warm room, condensation may form on the Genie II Pan Tilt. Do not use the Genie II Pan Tilt. This is to avoid damaging it. If there is condensation, remove any accessories and wait until the condensation has evaporated before using again.

- Do not use paint thinner, benzene, or other organic solvents to clean the equipment. Doing so may cause fire or a health hazard.

- Only use attachments/accessories specified by Syrp.

- Refer all servicing to qualified service personnel.

- Servicing is required when the Genie II Pan Tilt has been damaged in any way, such as power-supply cord or plug is damaged, liquid has been spilled, objects have fallen onto the Genie II Pan Tilt, the Genie II Pan Tilt has been exposed to rain or moisture, does not operate normally, or has been dropped.

- Do not store the equipment in dusty or humid places

- Do not use the Genie II Pan Tilt in hospitals or airplanes. Electromagnetic waves emitted by the Genie II Pan Tilt may interfere with the planes instruments or medical equipment.

BATTERY WARNINGS

You must read these safety instructions and warnings before using or charging your batteries. Lithium Polymer and Li-ion batteries are volatile. Failure to read and follow the below instructions may result in fire, personal injury and damage to property if charged or used improperly.

WARNING: Do not disassemble or modify the battery. The battery contains safety and protection devices, which, if damaged, may cause the battery to generate heat, explode or ignite.

WARNING: Do not pierce the battery with nails, strike the battery with a hammer, step on the battery or otherwise subject it to strong impacts or shocks.

WARNING: Do not use a battery that's shows any signs of physical damage.

CAUTION: Do not carry or store battery together with necklaces, hairpins or other metal objects.

CAUTION: Do not expose battery to water or salt water, or allow the battery to get wet.

CAUTION: Do not place the battery in or near fire, on stoves or other high temperature locations.

CAUTION: The AC adapter is designed to operate at the following AC voltages and frequencies only; 100-240V ~ 50-60Hz 0.5A. The rated output voltage and current is 3.6-6.5V/3A, 6.5-9V/2A, 9-12V/1.5A 18W Max

IMPORTANT BATTERY SAFETY INSTRUCTIONS

READ THESE INSTRUCTIONS. KEEP THESE INSTRUCTIONS.
FOLLOW THEM CAREFULLY.

- Never charge batteries unattended. Always monitor charging process to assure batteries are being charged properly. Failure to do so may result in fire.
- Never use 3rd party batteries
- If at any time you witness a battery starting to balloon, swell up, smoke or become hot, discontinue charging process immediately, disconnect the battery and observe it in a safe place for approximately 15 minutes. This reaction with may cause the chemicals to ignite, resulting in fire.

- Let battery cool down to ambient temperature before charging.
- Only use Genie II specific Lithium charger, USB charging cable and Power plug. Never use any 3rd party chargers or cables as a replacement for the Genie II Pan Tilt charger or cables.
- Ensure you use the correct power plug for your country.
- If battery leakage contacts your eyes, skin, or clothing, flush the affected area with lots of clean water without rubbing it. See a physician immediately.
- During recharging, keep the equipment away from the reach of children. The cord can accidentally choke the child or give an electrical shock.
- Do not leave any cords near a heat source. It can deform the cord or melt the insulation and cause a fire or electrical shock.
 - Do not drop the batteries or use batteries that have been dropped.
 - Charging the battery every 2 months to keep it fresh if you don't use it.
- Do not place the battery in direct sunlight, or use or store the battery inside cars in hot weather.
 - Storing the Genie II Pan Tilt and/or the battery in temperatures over 50°C (104°F) or below -20°C (-4°F) for extended periods of time (more than 2 hours) may cause damage to battery and possible fire.
- Always keep battery away from children.

COPYRIGHT AND TRADEMARKS

Copyright laws in your country may prohibit the use of recorded images of people, places or other subjects for public or private enjoyment. Also be aware that certain public performances, exhibitions or other events may prohibit recording images.

Syrp, the Syrp logo and the Genie logo are trademarks or registered trademarks of Syrp Ltd in New Zealand and/or other countries. All trademarks, trade names, icons, logos, written material, images, code, and product names used in association with this product are copyrights, trademarks, or other intellectual property exclusively owned and controlled by Syrp Ltd. Syrp Ltd also has patents pending.

All other company, brand and product names are trademarks or registered trademarks of their respective holders. Syrp has no affiliation to, is not associated or sponsored with, and has no express rights in third-party trademarks.

© 2018 Syrp Ltd. All rights reserved.

better films.